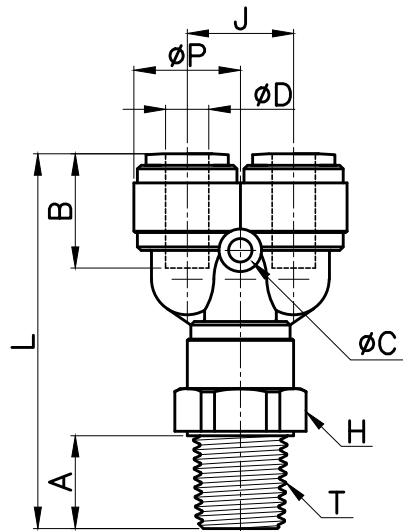


# HRWT



MODEL	$\phi D$	$\phi P$	T(BSPT,R)	A	B (TUBE DEEP)	J	H (Hex)	L	$\phi C$	WEIGHT (g)	EA (box)
HRWT 04R01	04	13.8	1/8	9.1	14.7	13.5	15.0	45.5	3.3	8.7	50
HRWT 04R02			1/4	13.1			17.0	49.5		10.1	50
HRWT 06R01	06	15.5	1/8	9.1	16.1	15.5	17.0	50.4	3.3	11.6	50
HRWT 06R02			1/4	13.1			17.0	54.4		12.5	25
HRWT 08R01	08	17.6	1/8	9.1	17.5	17.6	19.0	52.5	4.5	14.0	25
HRWT 08R02			1/4	13.1			19.0	56.5		14.9	25
HRWT 08R03			3/8	13.5			19.0	56.9		15.5	25
HRWT 10R02	10	20.0	1/4	13.1	20.1	20.0	21.0	61.8	4.5	20.9	25
HRWT 10R03			3/8	13.5			21.0	62.2		21.0	25
HRWT 10R04			1/2	16.5			24.0	65.2		25.3	20
HRWT 12R03	12	23.0	3/8	13.5	24.7	23.0	24.0	72.9	4.5	33.3	15
HRWT 12R04			1/2	16.5			24.0	75.9		35.8	12