

0°C ÷ 60°C



**Working pressure:**  
From 0 to 10 Bar  
**Negative pressure:**  
- 0,95 Bar (- 95 Kpa)  
**Min. opening pressure:**  
0,1 - 0,2 Bar



Compressed air & vacuum  
(do not use with water)



- Taper gas BSPT ISO 7  
from R1/8" to R1/2" with teflon  
- Parallel gas BSPP ISO 228  
from G1/8" to G1/2" with o-ring  
- Metric ISO 262  
M5 and M6



Polyamide PA, Polyurethane PU

**Body:**

CVPC: Brass from Ø4 to Ø8  
Aluminium from Ø10 to Ø12  
CVPU: PBT from Ø4 to Ø8  
Aluminium from Ø10 to Ø12



CVPF: Nickel-plated brass  
CVFF: Nickel-plated brass  
Collet: POM  
Lock claw: Stainless steel AISI 301  
Back ring: POM  
Seal: NBR silicone free  
O-ring: NBR silicone free  
Spring: Stainless steel AISI 301  
Valve: Aluminium

**SILICONE FREE**

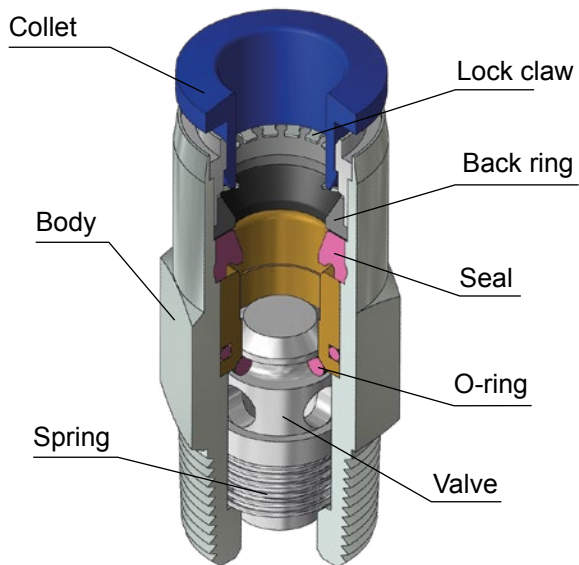


Products in compliance with EC Regulation 1907/2006

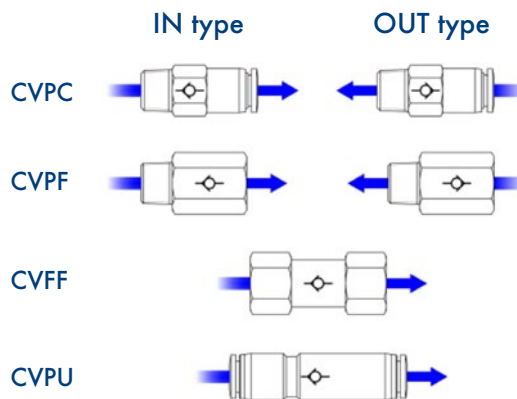
**RoHS3**

Products in compliance with the directive EU 2015/863

**CONSTRUCTION DETAILS**



**FLOW**



**TIGHTENING TORQUE**  
TAPER GAS BSPT ISO 7

THREAD	1/8"	1/4"	3/8"	1/2"
Nm	7	12	22	28

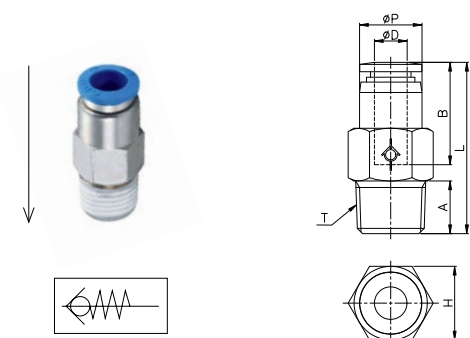
**TIGHTENING TORQUE**  
PARALLEL GAS BSPP ISO 228 & METRIC ISO 262

THREAD	M5x0,8	M6x1	1/8"	1/4"	3/8"	1/2"
Nm	1,5	2,3	10	15	25	40



**CVPC-R**

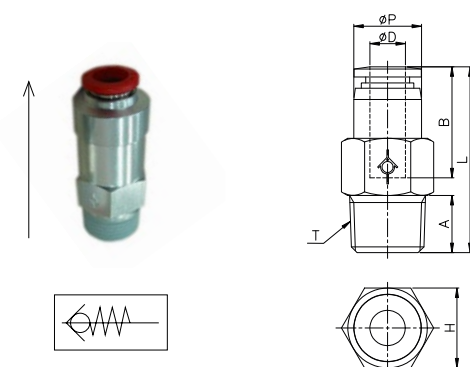
Male connector check valve BSPT thread - OUT type



CODE	ØD	T	ØP	L	A	B	H	g
CVPC04R01	4	R 1/8"	10,0	27,3	8,0	14,8	10	11,0
CVPC06R01	6	R 1/8"	11,9	32,5	8,0	16,4	12	16,0
CVPC06R02		R 1/4"	11,9	32,5	10,0	16,4	14	24,0
CVPC08R01	8	R 1/8"	14,0	34,9	8,0	18,4	14	21,0
CVPC08R02		R 1/4"	14,0	37,2	10,0	18,4	14	24,0
CVPC10R03	10	R 3/8"	23,0	56,3	11,0	20,2	22	35,0
CVPC10R04		R 1/2"	23,0	58,3	14,0	20,2	22	41,0
CVPC12R03	12	R 3/8"	25,0	62,2	11,0	22,9	24	40,0
CVPC12R04		R 1/2"	25,0	65,2	14,0	22,9	24	40,0

**CVPC-R-IN**

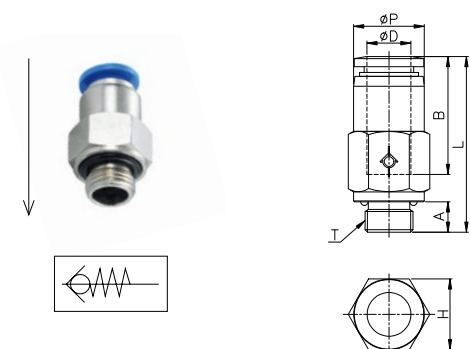
Male connector check valve BSPT thread - IN type



CODE	ØD	T	ØP	L	A	B	H	g
CVPC04R01-IN	4	R 1/8"	10,0	27,3	8,0	15,3	10	9,8
CVPC06R01-IN	6	R 1/8"	11,9	32,6	8,0	16,3	12	12,8
CVPC06R02-IN		R 1/4"	11,9	32,6	10,0	16,3	14	19,8
CVPC08R01-IN	8	R 1/8"	14,0	34,9	8,0	18,3	14	18,7
CVPC08R02-IN		R 1/4"	14,0	37,2	10,0	18,3	14	20,7
CVPC10R03-IN	10	R 3/8"	23,0	56,3	11,0	20,3	22	45,5
CVPC10R04-IN		R 1/2"	23,0	58,3	14,0	20,3	22	63,5
CVPC12R03-IN	12	R 3/8"	25,0	62,3	12,0	23,3	24	48,3
CVPC12R04-IN		R 1/2"	25,0	65,3	14,0	23,3	24	68,3

**CVPC-G**

Male connector check valve BSPP & metric thread - OUT type

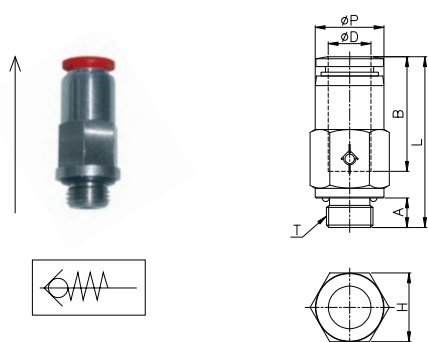


CODE	ØD	T	ØP	L	A	B	H	g
CVPC04M5	4	M5x0,8	10,0	31,4	3,6	14,8	10	11,0
CVPC04M6		M6x1,0	10,0	30,4	4,6	14,8	10	11,0
CVPC04G01		G 1/8"	10,0	27,3	6,0	14,8	10	11,0
CVPC06G01	6	G 1/8"	11,9	32,5	6,0	16,4	12	16,0
CVPC06G02		G 1/4"	11,9	32,5	7,0	16,4	15	24,0
CVPC08G01	8	G 1/8"	14,0	34,8	6,0	18,4	14	21,0
CVPC08G02		G 1/4"	14,0	36,9	7,0	18,4	15	24,0
CVPC10G03	10	G 3/8"	23,0	54,0	8,0	20,2	22	35,0
CVPC10G04		G 1/2"	23,0	55,3	9,0	20,2	24	41,0
CVPC12G03	12	G 3/8"	25,0	58,9	8,0	22,9	24	40,0
CVPC12G04		G 1/2"	25,0	60,2	9,0	22,9	24	40,0



### CVPC-G-IN

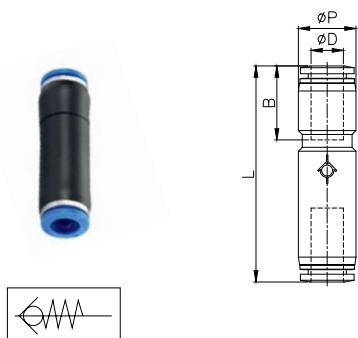
Male connector check valve BSPP & metric thread - IN type



CODE	ØD	T	ØP	L	A	B	H	g
CVPC04M5-IN	4	M5x0,8	10,0	31,4	3,6	14,8	10	11,0
CVPC04M6-IN		M6x1,0	10,0	30,4	4,6	14,8	10	11,0
CVPC04G01-IN		G 1/8"	10,0	27,3	6,0	14,8	10	11,0
CVPC06G01-IN	6	G 1/8"	11,9	32,5	6,0	16,4	12	16,0
CVPC06G02-IN		G 1/4"	11,9	32,5	7,0	16,4	15	24,0
CVPC08G01-IN	8	G 1/8"	14,0	34,3	6,0	18,4	14	21,0
CVPC08G02-IN		G 1/4"	14,0	36,9	7,0	18,4	15	24,0
CVPC10G03-IN	10	G 3/8"	23,0	54,0	8,0	20,2	22	35,0
CVPC10G04-IN		G 1/2"	23,0	55,3	9,0	20,2	24	41,0
CVPC12G03-IN	12	G 3/8"	25,0	58,9	8,0	22,9	24	40,0
CVPC12G04-IN		G 1/2"	25,0	60,2	9,0	22,9	24	40,0

### CVPU

Union connector check valve - PBT



CODE	ØD	ØP	L	B	g
CVPU04	4	10,5	41,9	14,8	4,9
CVPU06	6	12,5	47,4	16,4	8,2
CVPU08	8	14,8	55,5	18,3	12,9

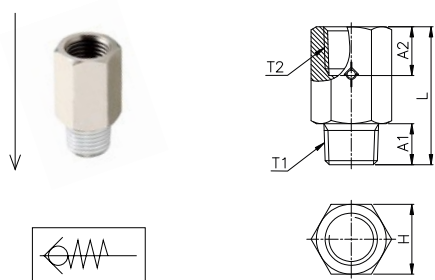
Union connector check valve - Aluminium



CODE	ØD	ØP	L	B	g
CVPU10	10	23,0	65,2	20,2	43,5
CVPU12	12	25,0	72,9	22,9	58,1

### CVPF-R

M/F connector check valve BSPT thread - OUT type

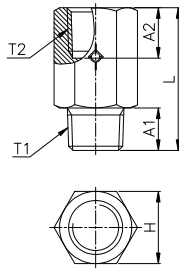


CODE	T1	T2	L	A1	A2	H	g
CVPF01R01	R 1/8"	R 1/8"	27,6	8	8,5	12	16,0
CVPF02R02	R 1/4"	R 1/4"	33,6	10	11	17	38,0
CVPF03R03	R 3/8"	R 3/8"	53,3	12	13	22	107,0
CVPF04R04	R 1/2"	R 1/2"	61,5	14	15	24	131,0



**CVPF-R-IN**

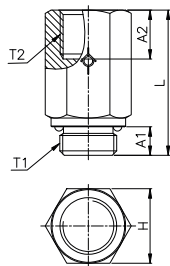
M/F connector check valve BSPT thread - IN type



CODE	T1	T2	L	A1	A2	H	g
CVPF01R01-IN	R 1/8"	R 1/8"	27,6	8	8,5	12	16,0
CVPF02R02-IN	R 1/4"	R 1/4"	33,6	10	11	17	38,0
CVPF03R03-IN	R 3/8"	R 3/8"	53,3	12	13	22	107,0
CVPF04R04-IN	R 1/2"	R 1/2"	61,5	14	15	24	131,0

**CVPF-G**

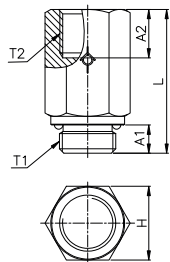
M/F connector check valve BSPP thread - OUT type



CODE	T1	T2	L	A1	A2	H	g
CVPF01G01	G 1/8"	G 1/8"	27,	5,0	8,5	14	23,0
CVPF02G02	G 1/4"	G 1/4"	33,3	6,5	11	17	39,0
CVPF03G03	G 3/8"	G 3/8"	50,5	6,5	13	22	102,0
CVPF04G04	G 1/2"	G 1/2"	56,7	8,0	15	24	121,0

**CVPF-G-IN**

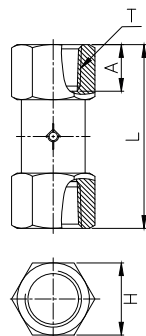
M/F connector check valve BSPP thread - IN type



CODE	T1	T2	L	A1	A2	H	g
CVPF01G01-IN	G 1/8"	G 1/8"	27,6	5,0	8,5	14	23,0
CVPF02G02-IN	G 1/4"	G 1/4"	33,3	6,5	11	17	39,0
CVPF03G03-IN	G 3/8"	G 3/8"	50,5	6,5	13	22	102,0
CVPF04G04-IN	G 1/2"	G 1/2"	56,7	8,0	15	24	121,0

**CVFF**

Female check valve BSPT thread



CODE	T	L	A	H	g
CVFF-R01	R 1/8"	35,6	9,0	12	20,0
CVFF-R02	R 1/4"	43,3	11,0	17	49,2
CVFF-R03	R 3/8"	53,2	12,0	22	93,9
CVFF-R04	R 1/2"	60,5	14,0	24	113,7

