

-20°C ÷ 100°C with NBR o-ring
 -15°C ÷ 200°C with Viton o-ring
 The working temperature is determined by the properties of the tube used



Working pressure:
 18 Bar
 60 Bar (max working pressure)
 The working pressure is determined by the properties of the tube used



Compressed air, water and fluids suitable with construction materials



- Taper gas BSPT ISO 7 from R1/8" to R1"
 - Parallel gas BSPP ISO 228 from G1/8" to G3/4"
 - Metric ISO 262 M5



All tubes compatible with the internal diameter, to be used only with suitable clamps



Body: Nickel-plated brass
 Turning: UNI EN 12164 CW 614N
 Hot forging & machining: UNI EN 12165 CW 617N
O-ring: NBR 70

AVAILABILITY:

- Available on request and with minimum quantity in yellow brass
- Available on request with Viton o-ring



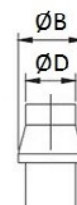
Products in compliance with EC Regulation 1907/2006



Products in compliance with the directive EU 2015/863

DIAMETER OF TH BARB
 BARB CONNECTORS - BRASS

ØD (mm)	Ø4,5	Ø6	Ø7	Ø8	Ø9	Ø10	Ø12	Ø14	Ø17	Ø18	Ø19	Ø21	Ø25	Ø27
ØB (mm)	4,8	6,3	7,3	8,3	9,3	10,3	12,3	14,3	17,3	18,3	19,3	21,3	25,3	27,3



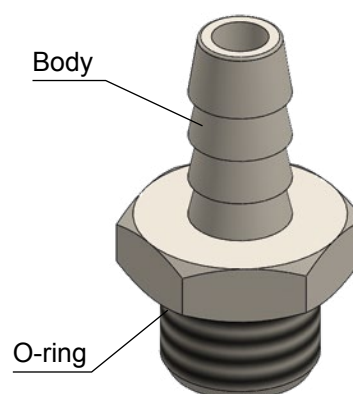
TIGHTENING TORQUE
 TAPER GAS BSPT ISO 7

THREAD	1/8"	1/4"	3/8"	1/2"	3/4"	1"
Nm	8	12	14	16	18	20

TIGHTENING TORQUE
 PARALLEL GAS BSPP ISO 228 & METRIC ISO 262

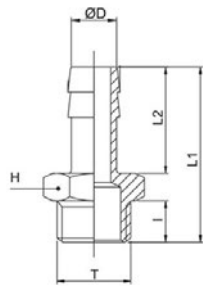
THREAD	M5x0,8	1/8"	1/4"	3/8"	1/2"	3/4"
Nm	0,8	5	8	10	12	14

CONSTRUCTION DETAILS



1165

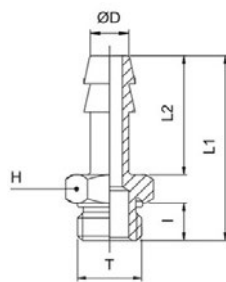
Male barb connector BSPP & metric thread



CODE	T	ØD	I	L1	L2	H	g
1165TRM545	M5x0,8	4,5	4,0	22,5	15,0	8	6,0
1165TR186	G 1/8"	6	6,0	29,5	19,0	12	8,0
1165TR146	G 1/4"	6	8,0	32,0	19,0	14	12,0
1165TR187	G 1/8"	7	6,0	29,5	19,0	12	8,0
1165TR147	G 1/4"	7	8,0	32,0	19,0	14	14,0
1165TR188	G 1/8"	8	6,0	29,5	19,0	12	8,0
1165TR148	G 1/4"	8	8,0	32,0	19,0	14	14,0
1165TR388	G 3/8"	8	9,0	33,0	19,0	19	22,0
1165TR189	G 1/8"	9	6,0	29,5	19,0	12	10,0
1165TR149	G 1/4"	9	8,0	32,0	19,0	14	14,0
1165TR389	G 3/8"	9	9,0	33,0	19,0	19	22,0
1165TR1810	G 1/8"	10	6,0	30,5	20,0	12	10,0
1165TR1410	G 1/4"	10	8,0	33,0	20,0	14	14,0
1165TR3810	G 3/8"	10	9,0	34,0	20,0	19	23,0
1165TR1412	G 1/4"	12	8,0	33,0	20,0	14	16,0
1165TR3812	G 3/8"	12	9,0	34,0	20,0	19	24,0
1165TR1212	G 1/2"	12	10,0	35,5	20,0	22	32,0
1165TR3814	G 3/8"	14	9,0	36,0	22,0	19	26,0
1165TR1214	G 1/2"	14	10,0	37,5	22,0	22	34,0
1165TR3817	G 3/8"	17	9,0	38,0	24,0	19	30,0
1165TR1217	G 1/2"	17	10,0	39,5	24,0	22	38,0
1165TR3418	G 3/4"	18	11,0	41,5	24,0	30	58,0
1165TR1220	G 1/2"	20	10,0	39,5	24,0	22	40,0
1165TR3420	G 3/4"	20	11,0	41,5	24,0	30	60,0

1167

Male barb connector BSPP & metric thread with O-ring

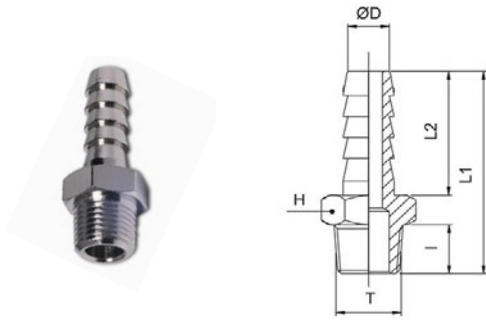


CODE	T	ØD	I	L1	L2	H	g
1167TRM545	M5x0,8	4,5	4,5	23,0	15,0	8	6,0
1167TR186	G 1/8"	6	6,5	30,0	19,0	14	10,0
1167TR146	G 1/4"	6	8,0	32,0	19,0	17	16,0
1167TR386	G 3/8"	6	9,0	33,0	19,0	20	-
1167TR187	G 1/8"	7	6,5	30,0	19,0	14	10,0
1167TR147	G 1/4"	7	8,0	32,0	19,0	17	16,0
1167TR188	G 1/8"	8	6,5	30,0	19,0	14	12,0
1167TR148	G 1/4"	8	8,0	32,0	19,0	17	17,0
1167TR388	G 3/8"	8	9,0	33,0	19,0	20	-
1167TR189	G 1/8"	9	6,5	30,0	19,0	14	14,0
1167TR149	G 1/4"	9	8,0	32,0	19,0	17	16,0
1167TR389	G 3/8"	9	9,0	33,0	19,0	20	22,0
1167TR1810	G 1/8"	10	6,5	30,0	19,0	14	-
1167TR1410	G 1/4"	10	8,0	32,0	19,0	17	-
1167TR1412	G 1/4"	12	8,0	33,0	20,0	17	18,0
1167TR3812	G 3/8"	12	9,0	34,0	20,0	20	24,0
1167TR1212	G 1/2"	12	10,0	35,5	20,0	24	35,0
1167TR3817	G 3/8"	17	9,0	38,0	24,0	20	30,0
1167TR1217	G 1/2"	17	10,0	39,5	24,0	24	42,0



1169

Male barb connector BSPT thread

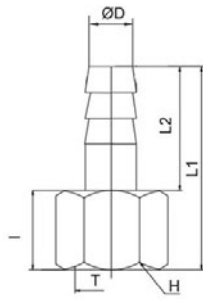


CODE	T	ØD	I	L1	L2	H	g
1169TR186	R 1/8"	6	8,0	31,5	19,0	12	8,0
1169TR146	R 1/4"	6	11,0	35,0	19,0	14	14,0
1169TR187	R 1/8"	7	8,0	31,5	19,0	12	10,0
1169TR147	R 1/4"	7	11,0	35,0	19,0	14	14,0
1169TR188	R 1/8"	8	8,0	31,5	19,0	12	10,0
1169TR148	R 1/4"	8	11,0	35,0	19,0	14	14,0
1169TR189	R 1/8"	9	8,0	31,5	19,0	12	12,0
1169TR149	R 1/4"	9	11,0	35,0	19,0	14	16,0
1169TR389	R 3/8"	9	11,5	35,5	19,0	17	20,0
1169TR129	R 1/2"	9	14,0	38,5	19,0	22	32,0
1169TR1810	R 1/8"	10	8,0	32,5	20,0	12	10,0
1169TR1410	R 1/4"	10	11,0	36,0	20,0	14	16,0
1169TR3810	R 3/8"	10	11,5	36,5	20,0	17	22,0
1169TR1210	R 1/2"	10	14,0	39,5	20,0	22	32,0
1169TR1412	R 1/4"	12	11,0	36,0	20,0	14	16,0
1169TR3812	R 3/8"	12	11,5	36,5	20,0	17	22,0
1169TR1212	R 1/2"	12	14,0	39,5	20,0	22	34,0
1169TR3814	R 3/8"	14	11,5	38,5	22,0	17	24,0
1169TR1214	R 1/2"	14	14,0	41,5	22,0	22	36,0
1169TR3816	R 3/8"	16	11,5	38,5	22,0	17	26,0
1169TR1216	R 1/2"	16	14,0	41,5	22,0	22	36,0
1169TR3416	R 3/4"	16	16,5	45,0	22,0	27	58,0
1169TR3817	R 3/8"	17	11,5	40,5	24,0	18	30,0
1169TR1217	R 1/2"	17	14,0	43,5	24,0	22	40,0
1169TR3818	R 3/8"	18	11,5	40,5	24,0	19	34,0
1169TR1218	R 1/2"	18	14,0	43,5	24,0	22	44,0
1169TR3418	R 3/4"	18	16,5	47,0	24,0	27	62,0
1169TR3820	R 3/8"	20	11,5	41,0	24,0	22	40,0
1169TR1220	R 1/2"	20	14,0	43,5	24,0	22	42,0
1169TR3420	R 3/4"	20	16,5	46,5	24,0	27	60,0
1169TR1221	R 1/2"	21	14,0	53,5	34,0	22	-
1169TR3421	R 3/4"	21	16,5	56,5	34,0	27	-
1169TR121	R 1"	21	19,0	60,0	34,0	34	-
1169TR3425	R 3/4"	25	16,5	53,0	30,0	27	76,0
1169TR125	R 1"	25	19,0	56,0	30,0	34	114,0
1169TR3427	R 3/4"	27	16,5	60,5	38,0	32	-
1169TR127	R 1"	27	19,0	64,0	38,0	34	-



1170

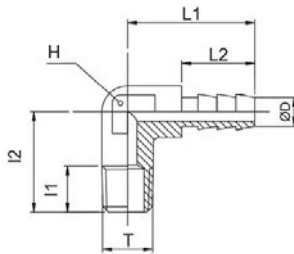
Female barb connector BSPP thread



CODE	T	ØD	I	L1	L2	H	g
1170TR186	G 1/8"	6	8,0	28,5	19,0	12	7,5
1170TR146	G 1/4"	6	11,0	31,5	19,0	15	-
1170TR187	G 1/8"	7	8,0	28,5	19,0	12	9,0
1170TR147	G 1/4"	7	11,0	31,5	19,0	15	21,0
1170TR188	G 1/8"	8	8,0	28,5	19,0	12	8,0
1170TR148	G 1/4"	8	11,0	31,5	19,0	15	19,0
1170TR189	G 1/8"	9	8,0	28,5	19,0	12	9,0
1170TR149	G 1/4"	9	11,0	31,5	19,0	15	20,0
1170TR389	G 3/8"	9	11,5	32,0	19,0	19	-
1170TR1810	G 1/8"	10	8,0	29,5	20,0	12	-
1170TR1410	G 1/4"	10	11,0	32,5	20,0	15	12,5
1170TR3810	G 3/8"	10	11,5	33,0	20,0	19	17,0
1170TR1210	G 1/2"	10	14,0	36,0	20,0	24	-
1170TR1412	G 1/4"	12	11,0	32,5	20,0	15	22,0
1170TR3812	G 3/8"	12	11,5	33,0	20,0	19	18,0
1170TR1212	G 1/2"	12	14,0	36,0	20,0	24	33,0
1170TR3814	G 3/8"	14	11,5	35,0	22,0	19	-
1170TR1214	G 1/2"	14	14,0	38,0	22,0	24	35,5
1170TR3816	G 3/8"	16	11,5	35,0	22,0	19	-
1170TR1216	G 1/2"	16	14,0	38,0	22,0	24	-
1170TR3817	G 3/8"	17	11,5	37,0	24,0	19	-
1170TR1217	G 1/2"	17	14,0	40,0	24,0	24	-
1170TR1218	G 1/2"	18	14,0	40,0	24,0	24	-
1170TR3418	G 3/4"	18	15,0	41,5	24,0	29	-
1170TR3420	G 3/4"	20	15,0	41,5	24,0	29	-
1170TR3425	G 3/4"	25	15,0	47,5	30,0	29	-

1171

Male elbow barb connector BSPT thread

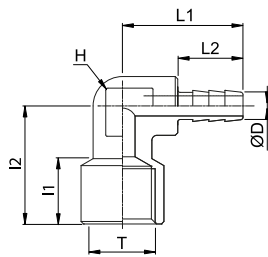


CODE	T	ØD	I1	I2	L1	L2	H	g
1171TR186185	R 1/8"	6	8,0	18,5	22,5	14,0	8	10,0
1171TR18623	R 1/8"	6	10,0	23,0	22,5	14,0	8	12,0
1171TR14623	R 1/4"	6	11,0	23,0	23,0	14,0	9	16,0
1171TR187185	R 1/8"	7	8,0	18,5	22,5	14,0	8	10,0
1171TR18723	R 1/8"	7	10,0	23,0	22,5	14,0	8	10,0
1171TR14723	R 1/4"	7	11,0	23,0	23,0	14,0	9	16,0
1171TR18819	R 1/8"	8	10,0	19,0	22,5	14,0	10	-



1174

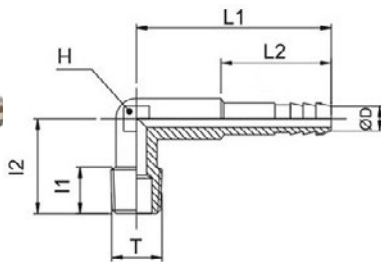
Female elbow barb connector BSPP thread



CODE	T	ØD	I1	I2	L1	L2	H	g
1174TR186	G 1/8"	6	8,0	22,0	22,0	13,0	9	-
1174TR146	G 1/4"	6	11,0	23,5	24,0	13,0	13	-
1174TR187	G 1/8"	7	8,0	22,0	24,0	13,0	9	-
1174TR147	G 1/4"	7	11,0	23,5	24,0	13,0	13	-

1172

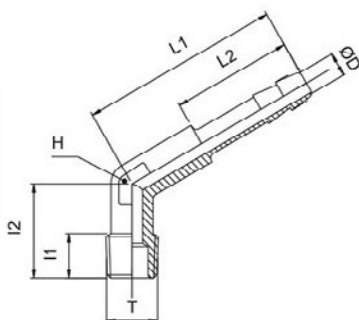
Long series elbow barb connector BSPT thread



CODE	T	ØD	I1	I2	L1	L2	H	g
1172TR186325	R 1/8"	6	10,0	22,0	32,5	14,0	9	18,0
1172TR18638	R 1/8"	6	8,0	18,5	38,0	22,0	8	14,0
1172TR146325	R 1/4"	6	11,0	23,0	32,5	14,0	9	20,0
1172TR187325	R 1/8"	7	11,0	22,0	32,5	14,0	9	16,0
1172TR18738	R 1/8"	7	8,0	18,5	38,0	22,0	8	14,0
1172TR147325	R 1/4"	7	11,0	23,0	32,5	14,0	9	20,0

1173

Long serie elbow 120° barb connector BSPT thread



CODE	T	ØD	I1	I2	L1	L2	H	g
1173TR186	R 1/8"	6	8,0	18,5	38,0	23,0	8	14,0
1173TR187	R 1/8"	7	8,0	18,5	38,0	23,0	8	12,0

