

0°C ÷ 60°C



Working pressure:
10 Bar
Negative pressure:
- 0,95 Bar (- 95 Kpa)



Compressed air & Vacuum



Polyamide PA,
Polyurethane PU,
Polyethylene PE



Manual flow regulation

Body: PBT
Collet: POM
Collar: Zinc
Lock claw: Stainless steel AISI 301
Back ring: POM
Seal: NBR
O-ring: NBR
Handle: Nickel-plated brass
Lock nut: Nickel-plated brass

SILICONE FREE

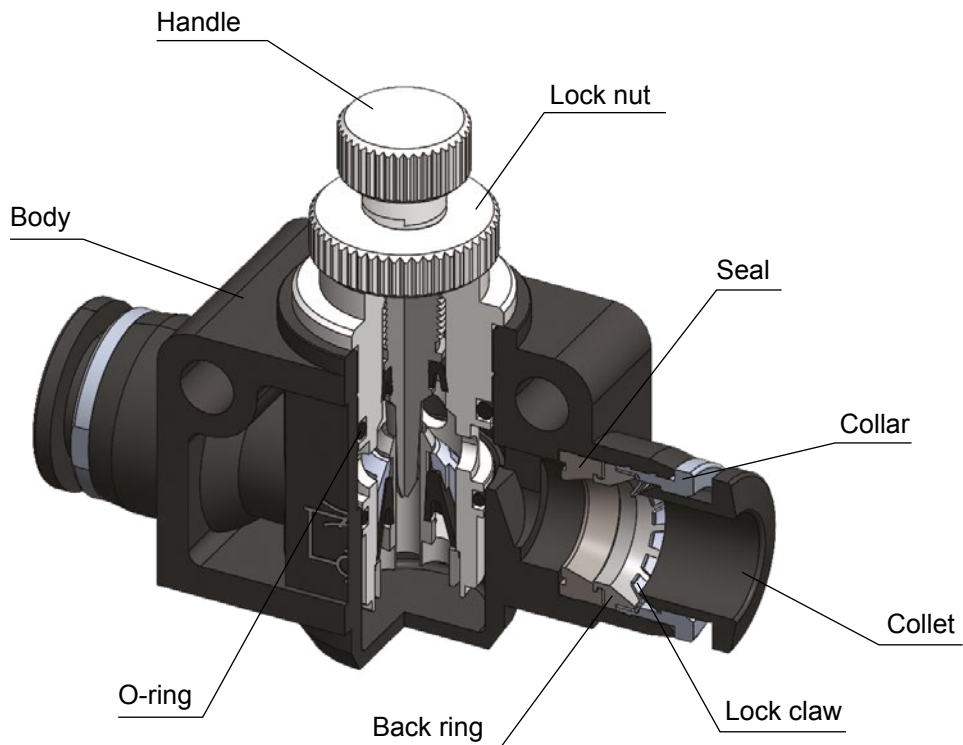


Products in compliance with
EC Regulation 1907/2006

RoHS3

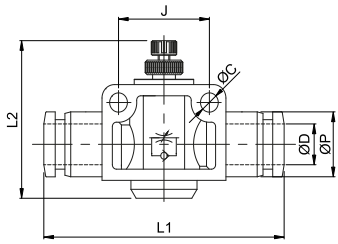
Products in compliance with
the directive EU 2015/863

CONSTRUCTION DETAILS



WTRNSF

Unidirectional flat flow regulator with handle regulation



CODE	ØD	ØP	ØC	J	L1	L2	g
WTRNSF04	4	11,1	3,2	14	39,5	28,8	11,7
WTRNSF06	6	13	4,3	20	47,6	42,6	27
WTRNSF08	8	15,1	4,3	22	52,6	44,3	39,5
WTRNSF10	10	18,8	4,3	26	60,5	53,4	69
WTRNSF12	12	21,5	4,3	32	74,2	55,6	113,2

