

-18°C ÷ +80°C



Working pressure:  
12 Bar



Compressed air



Parallel gas BSPP ISO 228  
from G1/4" to G1/2"



Body: Nickel-plated brass  
Spring: Nickel-plated steel

**PROFILE - USA ISO 6150-B12**



**NOMINAL DIAMETER**

5,0 mm

**AIR FLOWRATE**

1600 l/min

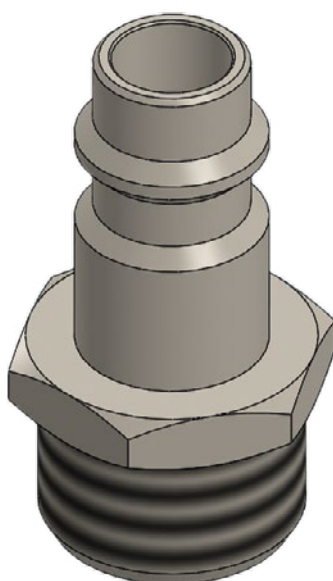


Products in compliance with  
EC Regulation 1907/2006



Products in compliance with  
the directive EU 2015/863

**VIEW - CONNECTION 8060MM**



**8060MM**

Male connection BSPP thread



CODE	THREAD
8060MM02	G 1/4"
8060MM03	G 3/8"
8060MM04	G 1/2"

**8070FM**

Female connection BSPP thread



CODE	THREAD
8070FM02	G 1/4"
8070FM03	G 3/8"
8070FM04	G 1/2"

**8080RE**

Connection with barb connector



CODE	INTERNAL TUBE Ø
8080RE06	6
8080RE08	8
8080RE10	10
8080RE12	12



**8085PO**

Connection with hose connector



CODE	Ø
8085PO610	6x10
8085PO612	6x12
8085PO614	6x14
8085PO812	8x12
8085PO814	8x14
8085PO817	8x17
8085PO10145	10x14,5
8085PO1017	10x17
8085PO1019	10x19

**8090MO**

Connection with push-on connector and spring



CODE	Ø
8090MO46	4x6
8090MO58	5x8
8090MO68	6x8
8090MO6510	6,5x10
8090MO810	8x10
8090MO812	8x12
8090MO1012	10x12

