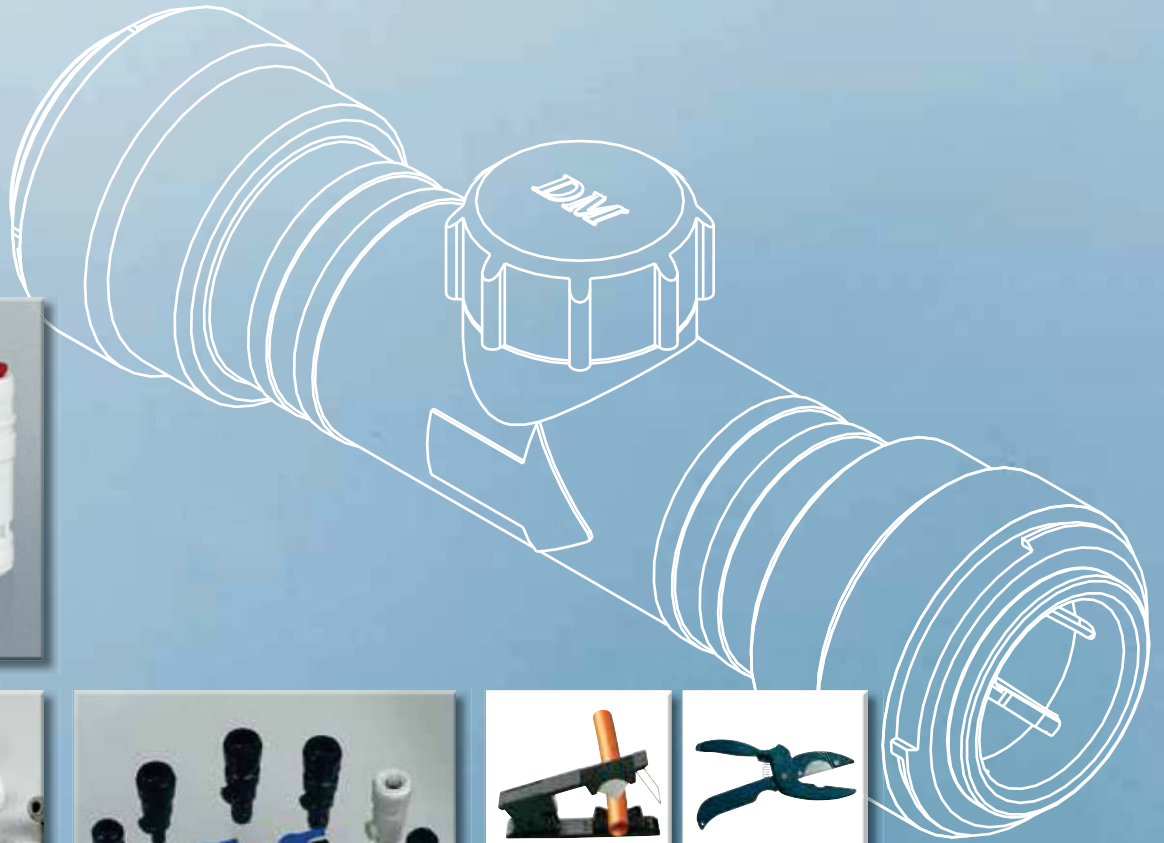


January. 2014



DMfit®



DM DMT
www.dmfit.com

DMfit®

PUSH-IN TUBE FITTINGS



WRAS approval :

DMfit® complies with WRAS requirements of the United Kingdom Water Regulations.



US FDA approved materials :

DMfit® fittings are produced using FDA approved materials.



SK Zert, ANSI/NSF-51, 61 Certifications :

DMfit® fittings are suitable for contact with foodstuffs & drinking water.



ISO 9001/ISO14001 Certifications :

DMfit® fittings are produced under a registered ISO 9001 / ISO 14001 quality system.

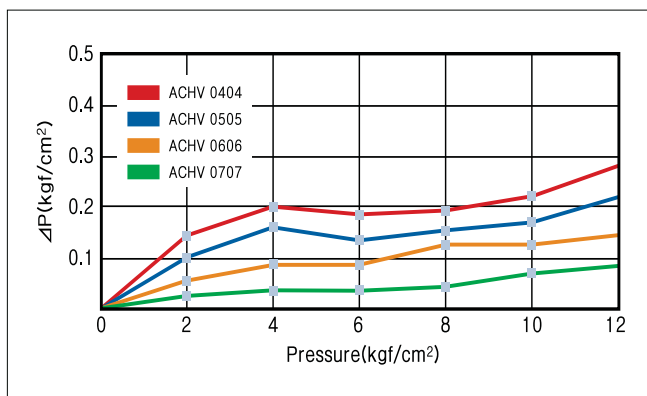
ISO 9001 ISO 14001

Since our creation in 1987, we have taken a leading position in the plastic extruded casing industry because of our quality-first mindset, integrity and technical leadership.

Now, we have made a second bold leap - into the fittings business. The goal is to be a global leader, providing the best net value in fittings products to the entire range of fluid handling industries.



Check Valves



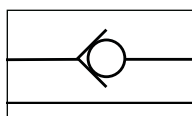
■ Features

- Can be used with a variety of chemicals and gases. However, when using other than water or air, please refer to Chemical Compatibility Tables, or consult our representative.
- Do not apply excessive vibration, shock, torque, or other strong loads on the fittings. The valve body may be damaged or the collets may be dislocated.
- Superior function in a compact size.
- Color : Inch Size - White (Acetal)
Metric Size - Black (Acetal)

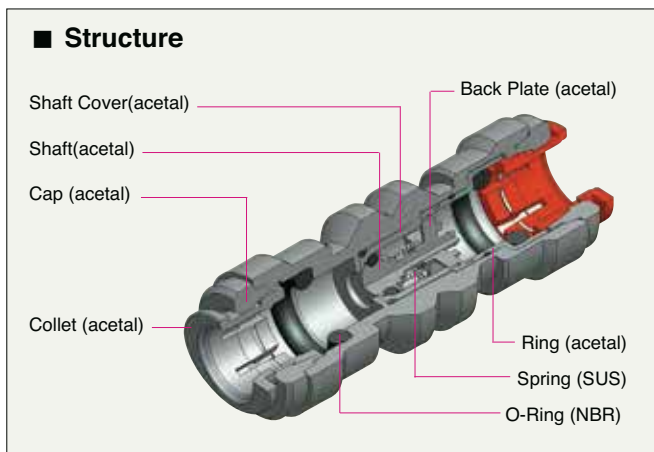
■ Working Pressure and Temperature

Pressure	10bar	5bar
Temperature	1°C(35°F) ~ 20°C(70°F)	65°C(150°F)

Check Valve Sign



■ Structure



CHV - CCheck Valve



PART NO.	Outlet Tube O.D.	Inlet Tube O.D.	Qty / Box
ACHV 0404	1/4	1/4	300
ACHV 0405	1/4	5/16	250
ACHV 0505	5/16	5/16	250
ACHV 0606	3/8	3/8	200
ACHV 0707	1/2	1/2	150



PART NO.	Outlet Tube O.D.(mm)	Inlet Tube O.D.(mm)	Qty / Box
ACHV 0606M	6	6	250
ACHV 0808M	8	8	200
ACHV 1010M	10	10	200
ACHV 1212M	12	12	150

DCHV - Double CCheck Valve



PART NO.	Tube O.D.	Tube O.D.	Qty / Box
ADCHV 0404	1/4	1/4	200

DCHV - Double CCheck Valve



PART NO.	Tube O.D. (mm)	Tube O.D. (mm)	Qty / Box
ADCHV 1515M	15	15	50

MCHV - Mini Check Valve

NPTF Thread



PART NO.	Tube O.D.	NPTF Thread	Qty / Box
AMCHV 0402W	1/4	1/8	500

● 1kgf/cm² - 980cc/min