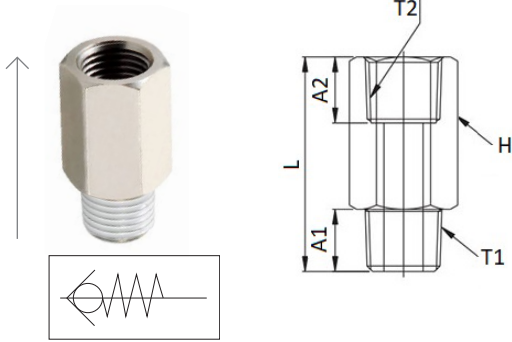


**CVPF-R-IN**

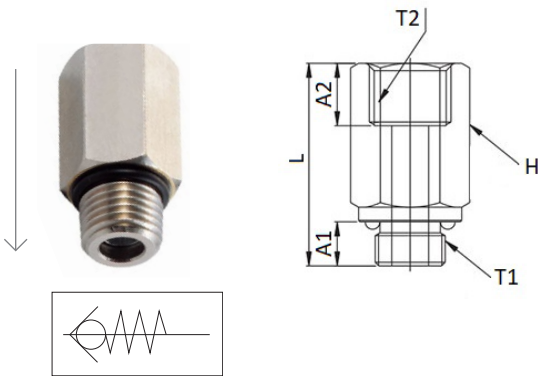
Female connector check valve BSPT thread - IN



CODE	T1	T2	L	A1	A2	H	GR.
CVPF01R01-IN	R1/8"	R1/8"	28,1	8	8	12	16
CVPF02R02-IN	R1/4"	R1/4"	34,1	11	11	17	39
CVPF03R03-IN	R3/8"	R3/8"	53,8	12	12	22	107
CVPF04R04-IN	R1/2"	R1/2"	61,0	14	14	24	130

**CVPF-G**

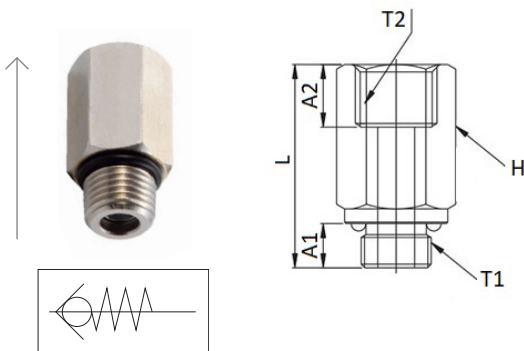
Female connector check valve BSPP thread - OUT



CODE	T1	T2	L	A1	A2	H	GR.
CVPF01G01	G1/8"	G1/8"	26,6	5,0	8	14	24
CVPF02G02	G1/4"	G1/4"	33,1	6,5	11	17	40
CVPF03G03	G3/8"	G3/8"	49,0	6,5	11	22	102
CVPF04G04	G1/2"	G1/2"	55,7	8,0	14	24	121

**CVPF-G-IN**

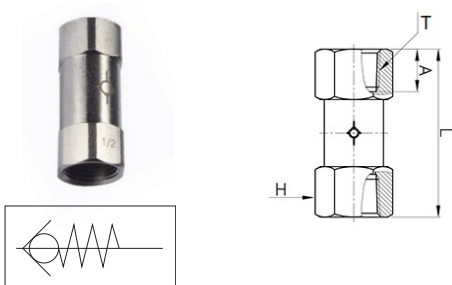
Female connector check valve BSPP thread - IN



CODE	T1	T2	L	A1	A2	H	GR.
CVPF01G01-IN	G1/8"	G1/8"	26,6	5,0	8	14	24
CVPF02G02-IN	G1/4"	G1/4"	33,1	6,5	11	17	40
CVPF03G03-IN	G3/8"	G3/8"	49,0	6,5	11	22	102
CVPF04G04-IN	G1/2"	G1/2"	55,7	8,0	14	24	121

**CVFF**

Check valve metal back



CODE	T	L	A	H	GR.
CVFF-R01	R1/8"	35,6	9,0	12	20,0
CVFF-R02	R1/4"	43,3	11,0	17	49,2
CVFF-R03	R3/8"	53,2	12,0	22	93,9
CVFF-R04	R1/2"	60,5	14,0	24	113,7

