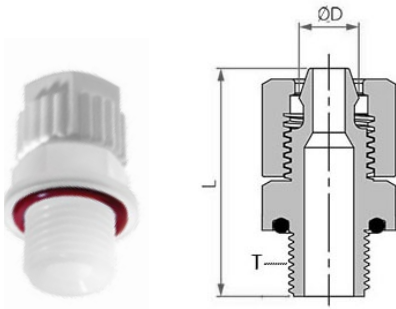


2900

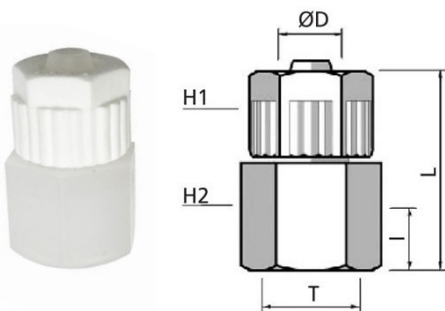
Male connector BSPP thread with O-Ring



CODE	ØD	T	L	GR.
2900TR186	6/4	G1/8"	27,2	4,14
2900TR146	6/4	G1/4"	30,9	5,37
2900TR188	8/5,5	G1/8"	27,3	4,09
2900TR148	8/5,5	G1/4"	31,1	5,9
2900TR1810	10/7	G1/8"	27,2	-
2900TR1410	10/7	G1/4"	31,0	-

2905

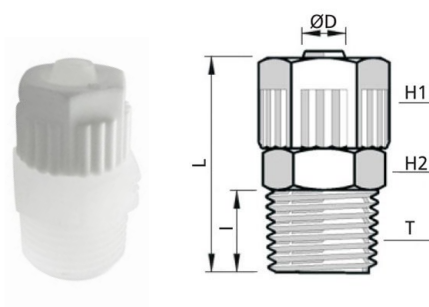
Female connector BSPT thread



CODE	ØD	T	I	L	H1	H2	GR.
2905TR186	6/4	R1/8"	10,0	26,3	14	14	3,0
2905TR146	6/4	R1/4"	11,0	28,0	14	17	3,0
2905TR188	8/5,5	R1/8"	9,0	26,3	14	14	3,0
2905TR148	8/5,5	R1/4"	11,0	28,0	14	17	4,0
2905TR388	8/5,5	R3/8"	11,2	30,5	14	22	5,0
2905TR128	8/5,5	R1/2"	13,5	32,5	14	26	6,0
2905TR1410	10/7	R1/4"	10,0	32,0	17	17	6,0
2905TR3810	10/7	R3/8"	11,0	33,5	17	22	7,0
2905TR1210	10/7	R1/2"	13,8	35,5	17	26	7,0

2910

Male connector BSPT thread



CODE	ØD	T	I	L	H1	H2	GR.
2910TR186	6/4	R1/8"	8,0	27,0	14	13	3,0
2910TR146	6/4	R1/4"	10,5	30,0	14	15	3,0
2910TR386	6/4	R3/8"	10,5	27,0	14	18	6,48
2910TR126	6/4	R1/2"	13,0	31,5	14	22	6,0
2910TR346	6/4	R3/4"	9,0	23,0	14	27	8,0
2910TR188	8/5,5	R1/8"	8,0	27,0	14	13	3,0
2910TR148	8/5,5	R1/4"	10,5	30,0	14	15	3,0
2910TR388	8/5,5	R3/8"	10,5	31,5	14	18	4,0
2910TR128	8/5,5	R1/2"	13,0	34,0	14	22	5,0
2910TR348	8/5,5	R3/4"	9,0	27,5	14	27	8,0
2910TR1410	10/7	R1/4"	10,5	36,0	17	17	4,0
2910TR3810	10/7	R3/8"	10,5	36,0	17	17	5,0
2910TR1210	10/7	R1/2"	12,0	39,0	17	22	6,0
2910TR3410	10/7	R3/4"	13,0	40,0	17	27	6,0
2910TR1412	12/9	R1/4"	10,5	34,0	19	14	6,0
2910TR3812	12/9	R3/8"	10,5	36,0	19	18	7,0
2910TR1212	12/9	R1/2"	12,5	37,0	19	22	7,0
2910TR3412	12/9	R3/4"	13,0	34,0	19	27	15,64

