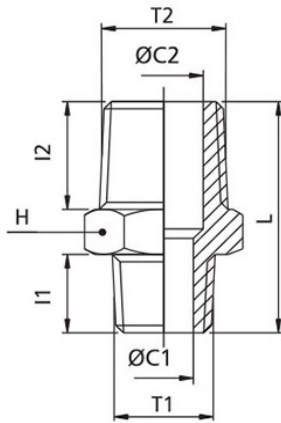


1112

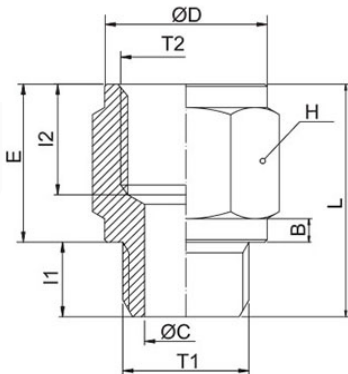
Reduced nipple BSPT thread



CODE	T1	T2	ØC1	ØC2	I1	I2	L	H	GR.
1112TR1814	R1/8"	R1/4"	5,5	8,5	7,5	11,0	23,0	14	12,0
1112TR1838	R1/8"	R3/8"	5,5	11,5	7,5	11,0	23,5	17	19,0
1112TR1438	R1/4"	R3/8"	8,5	11,5	10,5	11,0	26,5	17	21,0
1112TR1412	R1/4"	R1/2"	8,0	15,0	10,5	12,5	28,5	22	32,0
1112TR3812	R3/8"	R1/2"	11,0	15,0	10,5	12,5	28,5	22	35,0
1112TR1234	R1/2"	R3/4"	15,0	20,0	12,5	14,0	32,5	27	58,0
1112TR341	R3/4"	R1"	20,0	25,5	13,0	15,5	35,5	34	91,0

1115

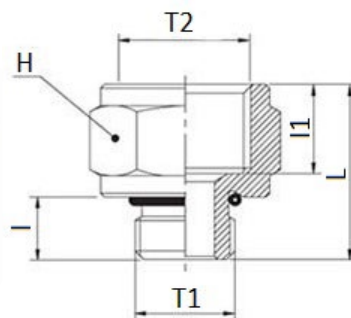
Enlarger M/F BSPP & metric thread enlarger



CODE	T1	T2	B	ØC	ØD	I1	I2	E	L	H	GR.
1115TRM5	M5	M5	1,5	2,5	7,5	4,5	5,0	6,5	11,0	8	3,0
1115TRM518	M5	G1/8"	2,0	2,2	13,5	5,0	7,0	11,0	16,0	14	10,0
1115TRM618	M6	G1/8"	2,0	2,7	13,5	6,0	7,0	11,0	17,0	14	10,0
1115TR18	G1/8"	G1/8"	2,0	5,5	13,5	6,5	8,0	11,0	17,5	14	11,0
1115TR1814	G1/8"	G1/4"	2,0	5,5	16,5	6,5	10,5	13,5	20,0	17	18,0
1115TR1838	G1/8"	G3/8"	2,5	5,5	21,5	6,5	10,5	14,0	20,5	22	33,0
1115TR14	G1/4"	G1/4"	2,0	8,5	16,5	8,0	10,5	13,5	21,5	17	19,0
1115TR1438	G1/4"	G3/8"	2,5	8,0	21,5	9,0	10,5	14,0	23,0	22	32,0
1115TR1412	G1/4"	G1/2"	3,0	8,0	26,5	9,0	12,5	17,0	26,0	27	51,0
1115TR38	G3/8"	G3/8"	2,5	11,0	21,5	9,0	10,5	14,0	23,0	22	32,0
1115TR3812	G3/8"	G1/2"	3,0	11,0	26,5	9,0	12,5	17,0	26,0	27	54,0
1115TR3834	G3/8"	G3/4"	3,0	11,0	31,5	9,0	12,5	17,0	26,0	32	66,0
1115TR12	G1/2"	G1/2"	3,0	15,0	26,5	10,5	12,5	16,0	26,5	27	56,0
1115TR1234	G1/2"	G3/4"	3,0	15,0	31,5	10,5	12,5	17,0	27,5	32	71,0
1115TR121	G1/2"	G1"	3,0	15,0	37,5	11,0	12,5	18,0	29,0	38	93,0
1115TR34	G3/4"	G3/4"	3,0	20,0	31,5	10,5	12,5	17,0	27,5	32	69,0
1115TR341	G3/4"	G1"	3,0	20,0	37,5	11,0	12,5	18,0	29,0	38	93,0
1115TR1	G1"	G1"	3,0	26,0	37,5	13,0	12,5	18,0	31,0	38	96,0

1116

Enlarger M/F BSPP thread with OR



CODE	T1	T2	L	I	I1	H	GR.
1116TR18	G1/8"	G1/8"	17	6,5	8,5	17	12,3
1116TR1814	G1/8"	G1/4"	20	6,5	11	20	13,0
1116TR1838	G1/8"	G3/8"	21	6,5	11,5	21	31,0
1116TR14	G1/4"	G1/4"	21,5	8	11	21,5	18,0
1116TR1438	G1/4"	G3/8"	22,5	8	11,5	22,5	32,0
1116TR1412	G1/4"	G1/2"	26	9	14	26	36,0
1116TR38	G3/8"	G3/8"	23,5	9	11,5	23,5	32,0
1116TR3812	G3/8"	G1/2"	27	9	14	27	38,0

