

-20°C ÷ +180°C



Up to 150 Bar



Compressed air, potable water and food fluids suitable with construction materials



Taper gas BSPT ISO 7 from R1/8" to R1 3/4"
Parallel BSPP ISO 228 from G1/8" to G1 3/4"



Stainless steel AISI 316



Products in compliance with the directive 2002/95/EC

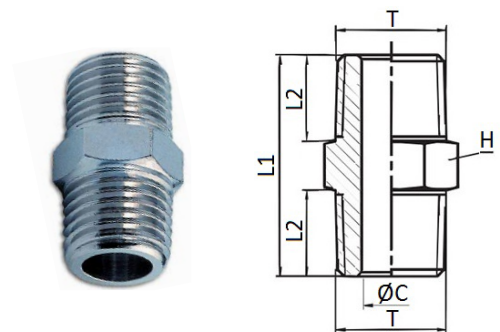
RoHS2

Products in compliance with the directive 2011/65/EU



1410

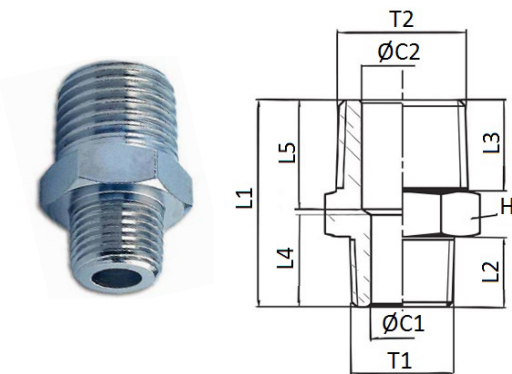
Nipple BSPT thread



CODE	T	ØC	L1	L2	H	GR
1410TR18	R1/8"	5	24	9,0	12	11,3
1410TR14	R1/4"	7	27	10,5	14	19,6
1410TR38	R3/8"	10	30	11,5	17	29,9
1410TR12	R1/2"	13	38	15,0	22	58,0
1410TR34	R3/4"	18	46	18,0	27	95,4

1412

Reduced nipple BSPT thread



CODE	T1	T2	ØC1	ØC2	L1	L2	L3	L4	L5	H	GR.
1412TR1814	R1/8"	R1/4"	7	5	25,5	10,5	9,0	15,0	9,9	14	15,9
1412TR1438	R1/4"	R3/8"	7	10	29,0	10,5	11,5	13,10	15,0	17	26,6
1412TR1412	R1/4"	R1/2"	7	13	33,0	10,5	15,0	13,27	18,0	22	45,3
1412TR3812	R3/8"	R1/2"	10	13	34,0	11,5	15,0	15,10	18,0	22	48,5
1412TR1234	R1/2"	R3/4"	13	18	43,0	15,0	18,0	19,60	22,0	27	87,1

