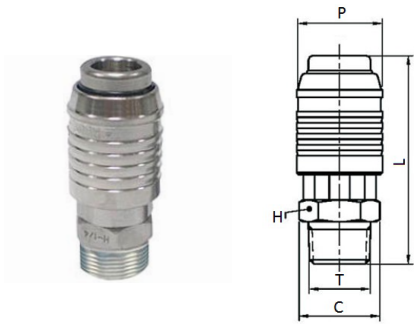


FLUID-10N-M

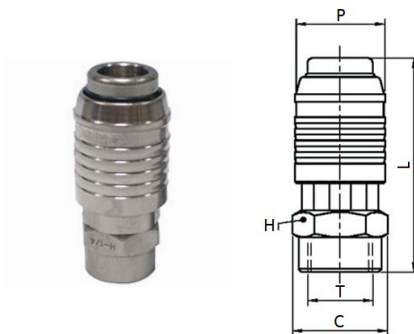
Male quick coupler DN 5,5



CODE	T	P	L	C	H
FLUID-10N-M1/4	R1/4"	23,4	54,5	19,0	17
FLUID-10N-M3/8	R3/8"	23,4	55,5	19,0	17
FLUID-10N-M1/2	R1/2"	23,4	60,0	24,6	22
FLUID-10N-M1/2G	G1/2"	23,4	57,5	26,5	24

FLUID-10N-H

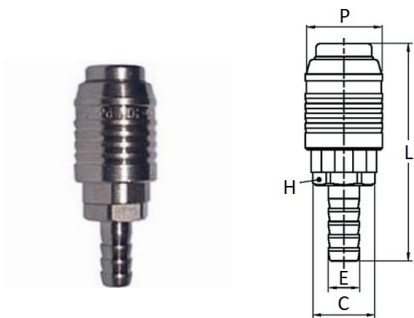
Female quick coupler DN 5,5



CODE	T	P	L	C	H
FLUID-10N-H1/4	G1/4"	23,4	52,5	21,5	19
FLUID-10N-H3/8	G3/8"	23,4	54,0	24,6	22
FLUID-10N-H1/2	G1/2"	23,4	58,2	27,5	25

FLUID-10N-E

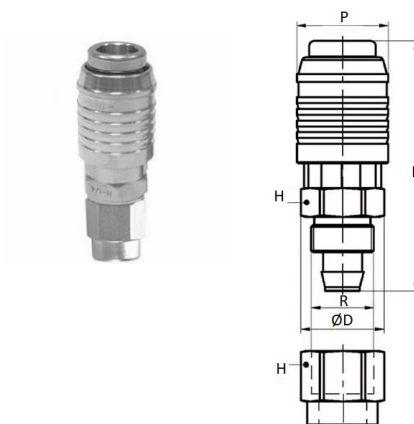
Quick coupler with barb connector DN 5,5



CODE	E	P	L	C	H
FLUID-10N-E6	7,20	23,4	62,0	21,5	19
FLUID-10N-E8	9,20	23,4	62,0	21,5	19
FLUID-10N-E10	11,20	23,4	66,0	21,5	19
FLUID-10N-E12	13,20	23,4	71,0	21,5	19
FLUID-10N-E13	13,80	23,4	71,0	21,5	19

FLUID-10N-PM

Joint push-on fittings DN 5,5



CODE	Ø TUBE	P	R	ØD	L	H
FLUID-10N-PM08	8X12	23,4	M16X1	21,3	64,7	19
FLUID-10N-PM10	10X15	23,4	M20X1	24,3	69,5	22

To used with PU-PVC

