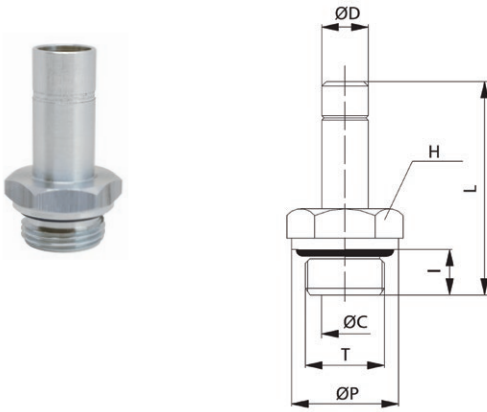


OTA-G

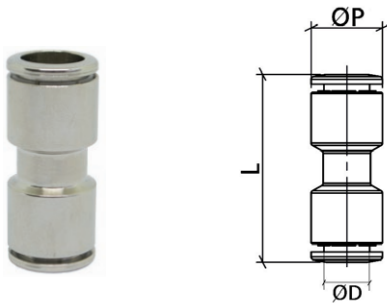
Stem adapter BSPP & metric thread nickel plated



CODE	ØD	T	DN	ØP	ØC	I	L	H	GR.
OTA04M5	4	M5	2,0	8,0	2,0	4,0	24,5	8	3,0
OTA04M7	4	M7	2,0	-	4,0	6,0	26,0	10	5,0
OTA04G01	4	G1/8"	2,0	13,0	6,0	6,0	28,0	13	10,0
OTA04G02	4	G1/4"	2,0	16,0	7,5	8,0	30,0	13	11,0
OTA06M5	6	M5	2,6	8,0	2,6	4,0	26,0	8	5,0
OTA04M7	6	M7	4,0	-	4,0	6,0	28,0	10	7,0
OTA06G01	6	G1/8"	4,0	13,0	6,0	6,0	29,5	13	9,0
OTA06G02	6	G1/4"	4,0	16,0	7,5	8,0	32,0	13	13,0
OTA08G01	8	G1/8"	6,0	13,0	6,0	6,0	31,0	13	10,0
OTA08G02	8	G1/4"	6,0	16,0	7,5	8,0	33,5	13	13,0
OTA08G03	8	G3/8"	6,0	20,0	9,0	9,0	35,5	13	21,0
OTA10G01	10	G1/8"	6,0	13,0	6,0	6,0	35,5	13	17,0
OTA10G02	10	G1/4"	8,0	16,0	8,0	8,0	38,0	13	15,0
OTA10G03	10	G3/8"	8,0	20,0	8,0	9,0	41,0	13	26,0
OTA12G02	12	G1/4"	8,0	16,0	8,0	8,0	39,0	13	22,0
OTA12G03	12	G3/8"	10,0	20,0	11,0	9,0	42,0	13	22,0
OTA12G04	12	G1/2"	10,0	24,0	13,0	11,0	44,0	16	35,0
OTA14G03	14	G3/8"	12,0	20,0	12,0	9,0	44,5	16	23,0
OTA14G04	14	G1/2"	12,0	24,0	13,0	11,0	46,5	16	33,0

OTRUC

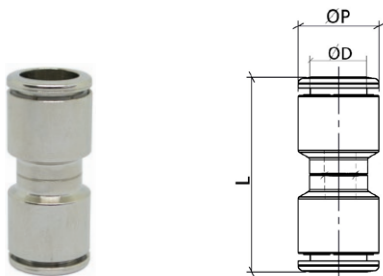
Union connector nickel plated



CODE	ØD	ØP	L
OTRUC04-532	4	10	29
OTRUC0600	6	12	32
OTRUC08-516	8	14	35,5
OTRUC1000	10	16	39,5
OTRUC1200	12	19	44

OTRUC-N

Union connector nickel plated



CODE	ØD	ØP	L
OTRUC04-532	5/32"	0,393	1,141
OTRUC1-4	1/4"	0,511	1,299
OTRUC08-516	5/16"	0,551	1,397
OTRUC38	3/8"	0,629	1,515
OTRUC1-2	1/2"	0,748	1,732

